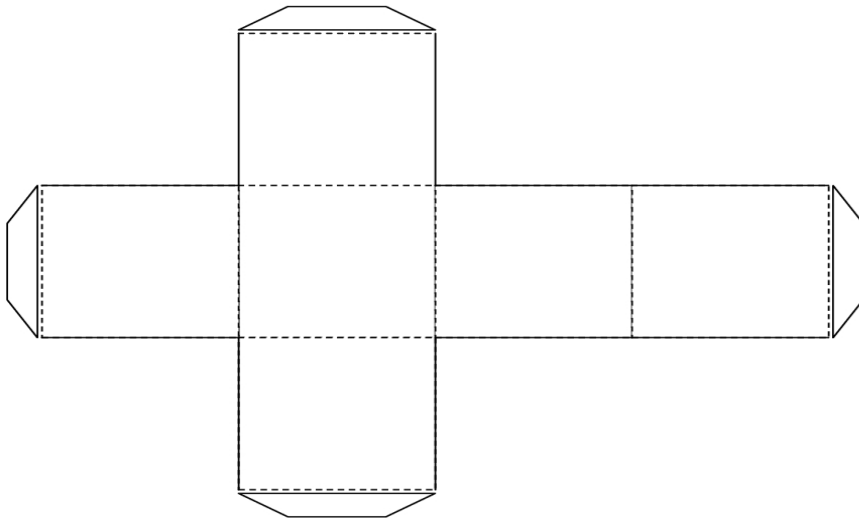


## NUMBER CUBE PATTERN



**Cut out pattern on solid lines.**  
**Fold on dotted lines.**  
**Glue opposite tabs together.**