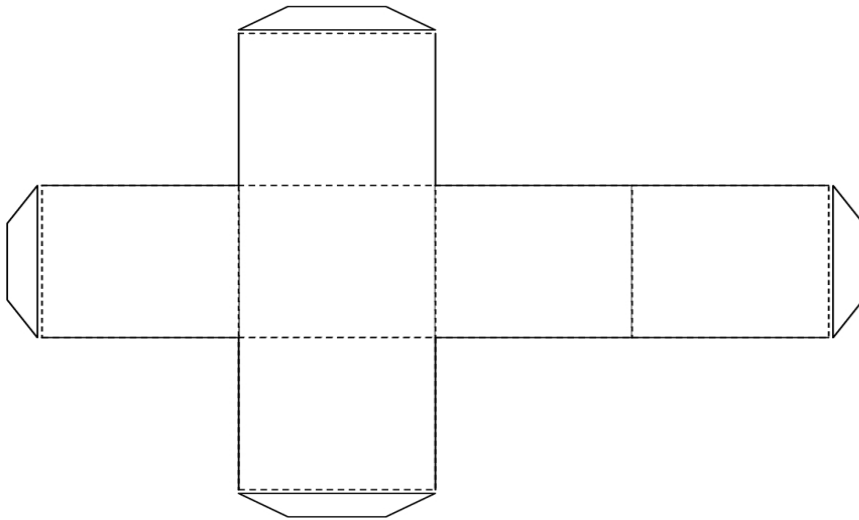


NUMBER CUBE PATTERN



Cut out pattern on solid lines.
Fold on dotted lines.
Glue opposite tabs together.