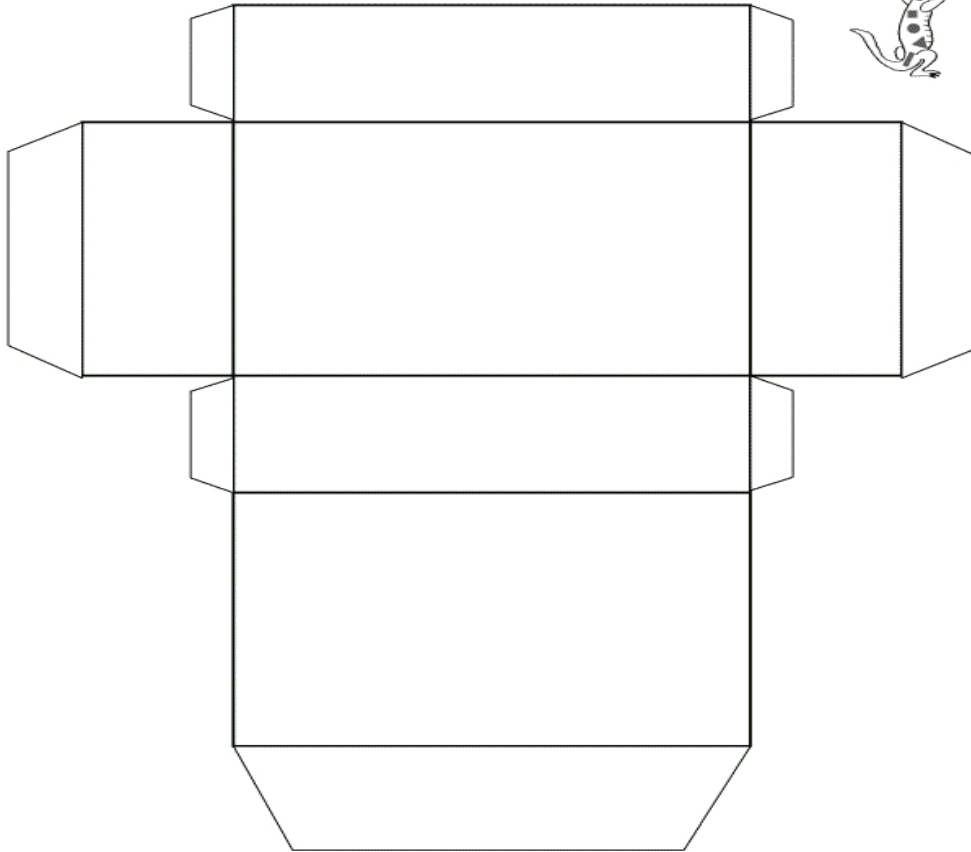


Name

Date

CUBOID 1
(RECTANGULAR
PRISM)



©2010 Math Salamanders Ltd.

MATH-SALAMANDERS.COM