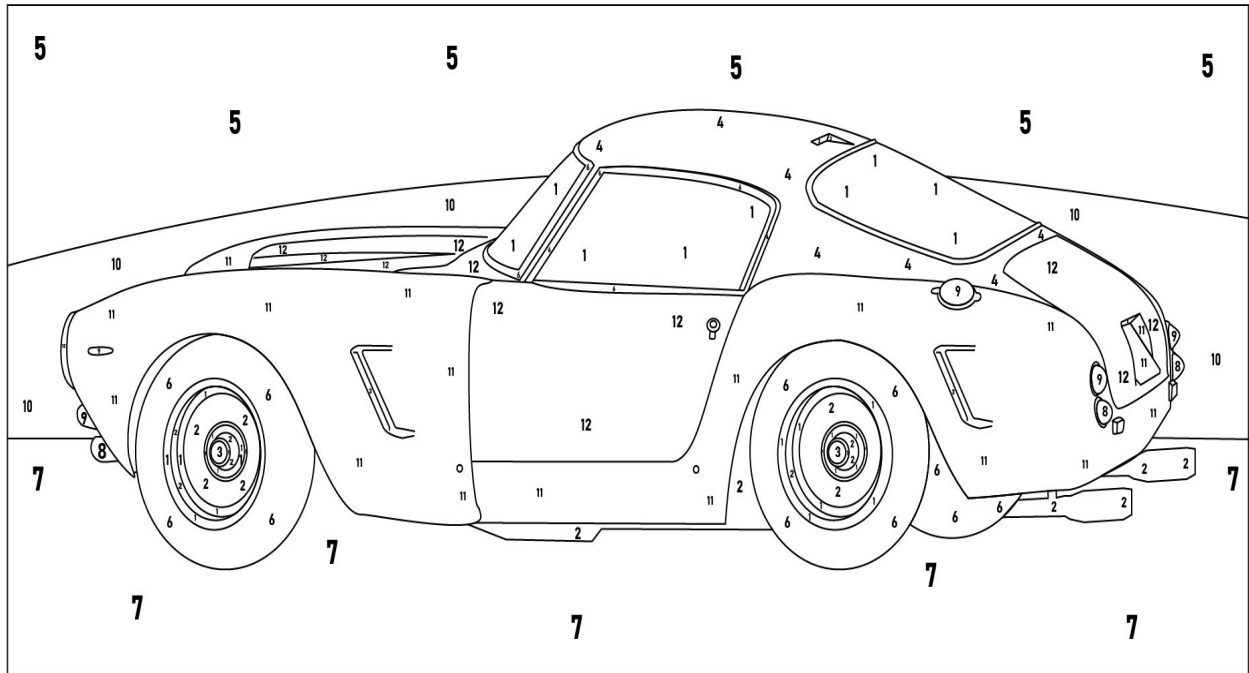


Paint by Number



1 = Grey

2 = Dark Grey

3 = Light Grey

4 = White

5 = Blue

6 = Black

7 = Dark Brown

8 = Orange

9 = Red

10 = Green

11 = Pink

12 = Dark Pink