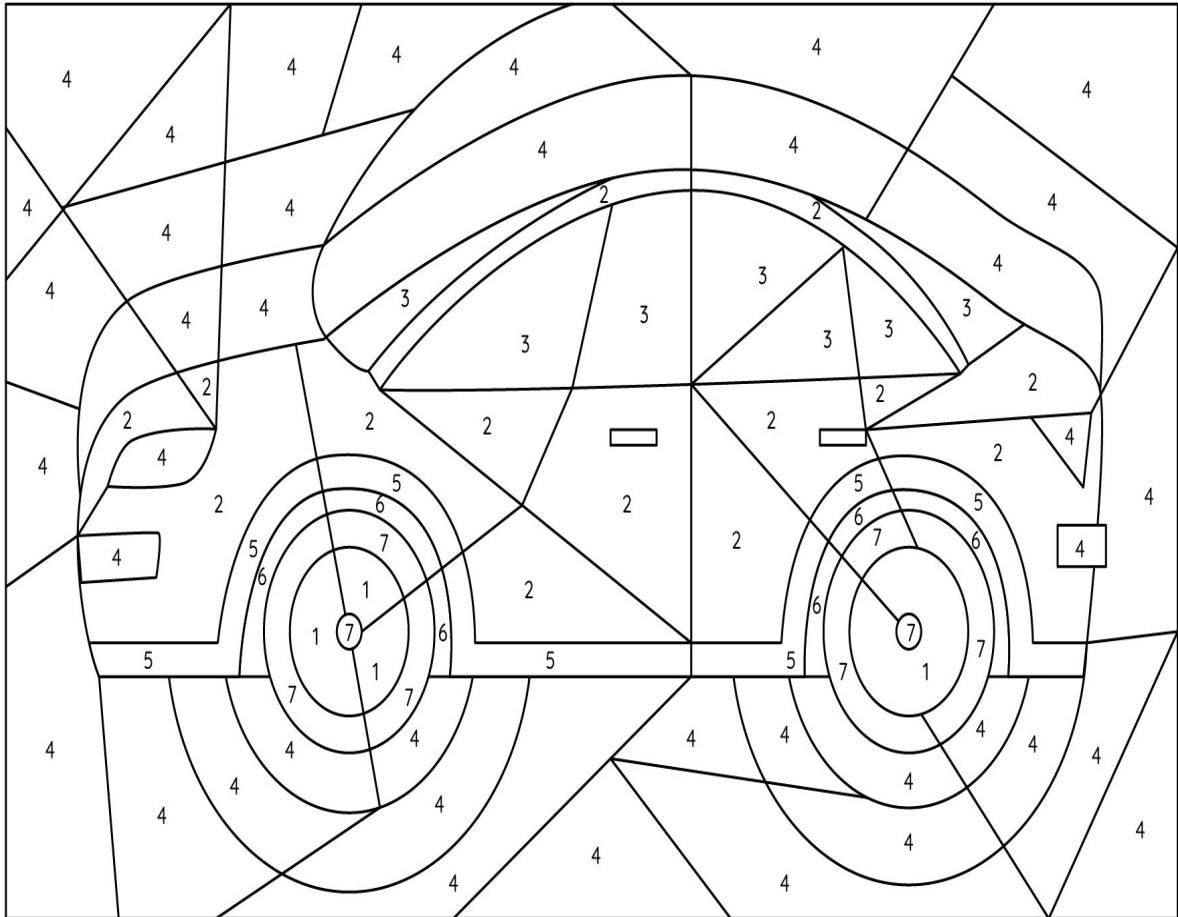


Addition Subtraction Color By Number

Name: _____



$5-3=$	$2+3=$	$8-4=$	$9-3=$	$4+3=$	$6-5=$	$3-0=$